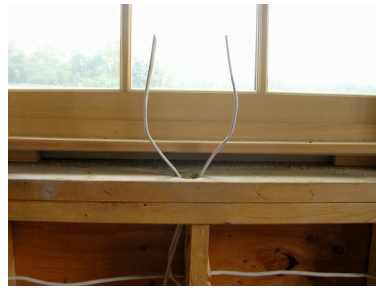




Single Wire
14/2 or 12/2 Romex

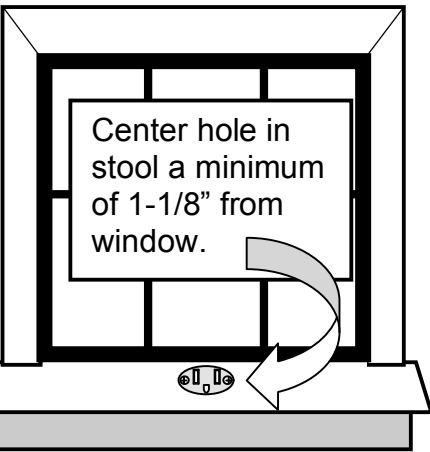
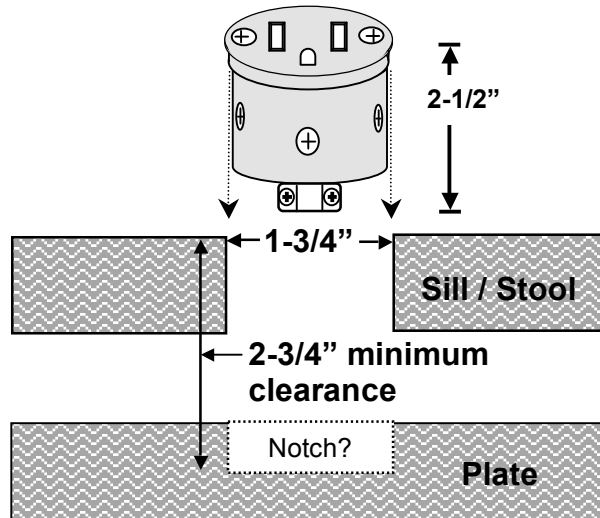


2 Single Wires
14/2 or 12/2 Romex

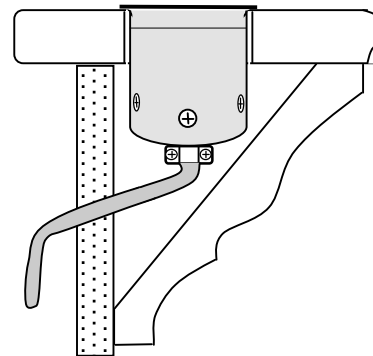
Leave a "Pre-Wire Sticker" at each location that has been wired for the Sillites SCR.



The mounting surface is prepared with a 1-3/4" hole:



In 2x4 stud walls, a wider stool can be used with crown molding to create a cavity for the SCR and wire.



For further details, call us at (770) 755-5654 or visit us on the web at www.sillites.com